

Quick-Fit Cable Glands Polyamide

Cable glands without thread, special designs

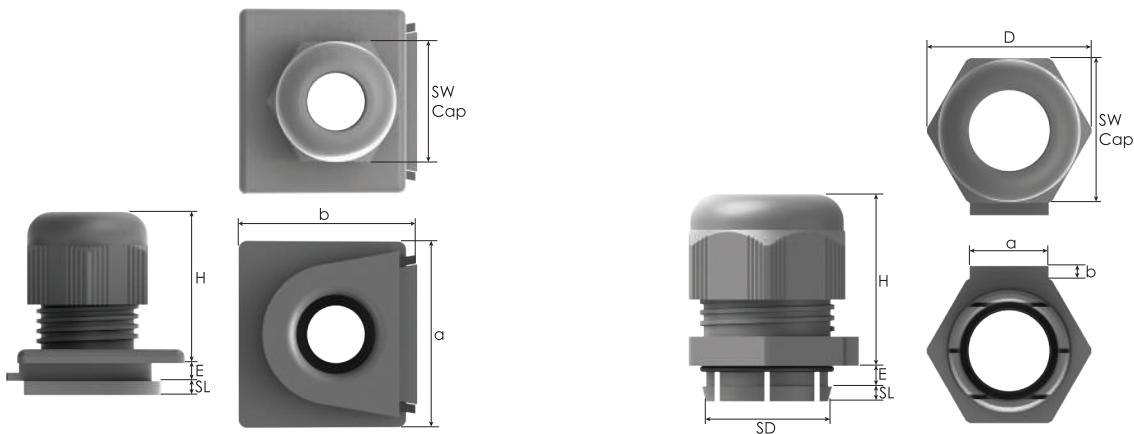
- Specially designed cable glands.
- Easy assembly: install cable gland - insert cable - tighten cap.
- High quality strain relief and sealing, reliable performance for standard industrial applications.

Technical Details

| | | |
|----------------------------------|--|---------------------|
| Body, Cap | PA 6 (Polyamide 6) | |
| Material Seal | CR (Chloroprene) | |
| O-Ring | NBR | |
| Ingress Protection Rating | IP 68 | |
| Flammability | V2 according to UL94 | |
| Operating Temperature | Permanent | Intermittent |
| | -20 °C to +100 °C | -30 °C to +150 °C |
| Cable Type | Non armoured | |
| Accessories | • Dome plugs | |
| | • Reducing seals | |
| | • Flat cable seals | |
| | • Multihole seals | |
| Remarks | • Using O-rings, the available wall thickness is reduced (design Type B) | |
| | • Accessories must be ordered separately. | |



Quick-Fit Cable Glands Polyamide



A

B

w/o thread

| Size | Clamping Range | Snap Length | | Wall | | Spanner Width | | Outer Ø | max. Height | Body Length | | Design Type | Part Number | | | Minimum Order Quantity |
|------|----------------|-------------|-----------|--------|-------------|---------------|------------|---------|-------------|-------------|---------------------|-------------|---------------|----------------|---------|------------------------|
| | | Ø | Thickness | Hole Ø | Cap | Body | a | | | b | RAL 7035 light grey | | RAL 7001 grey | RAL 9005 black | | |
| | Ø min-max mm | SL mm | SD mm | E mm | HD mm | SW Cap mm | SW Body mm | D mm | H mm | a mm | b mm | | | | | |
| 16 | 7,0 - 12,0 | 2,5 | - | 3,2 | - | 27 | - | 30,9 | 30,8 | 34,1 | 32,5 | A | QFVR-15 | QFVR-05 | QFVR-25 | 1000 |
| | 10,0 - 14,0 | 2,5 | - | 3,2 | - | 27 | - | 30,9 | 30,8 | 34,1 | 32,5 | A | QFV-15 | QFV-05 | QFV-25 | 1000 |
| 21 | 9,0 - 16,0 | 7,5 | 26 | 4,3 | 26,3 - 26,5 | 33 | 33 | 37,2 | 38,5 | 18,0 | 2,8 | B | QFR-16 | QFR-06 | QFR-26 | 1000 |
| | 13,0 - 18,0 | 7,5 | 26 | 4,3 | 26,3 - 26,5 | 33 | 33 | 37,2 | 38,5 | 18,0 | 2,8 | B | QF-16 | QF-06 | QF-26 | 1000 |